



GIA
GEMOLOGICAL INSTITUTE OF AMERICA®

New York Laboratory Headquarters
580 Fifth Avenue | New York, NY 10036-4794
T: 212-221-5858 | F: 212-575-3095

Carlsbad
5355 Armada Drive | Carlsbad, CA 92008-4699
T: 760-603-4500 | F: 760-603-1814
www.gia.edu

COLORED DIAMOND IDENTIFICATION AND ORIGIN REPORT

GIA REPORT 16766421

March 10, 2008

Shape and Cutting Style **MODIFIED SHIELD STEP CUT**

Measurements **10.76 x 9.87 x 3.07 mm**

Weight **1.95 carat**

Color Grade

Origin **NATURAL**

Grade **FANCY**

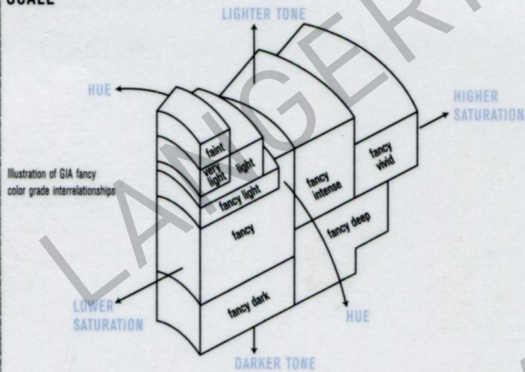
..... **GRAY**

Distribution **EVEN**

Comments:

None

GIA
COLORED
DIAMOND
SCALE



295383301

This Report is not a guarantee, valuation or appraisal and contains only the characteristics of the diamond described herein after it has been graded, tested, examined and analyzed by the GIA Laboratory and/or has been inscribed using the techniques and equipment used by the GIA Laboratory at the time of the examination and/or inscription. Inscriptions reported in this document are not a guarantee, validation, or warranty of an article's quality, country of origin or source; or that the article will be identifiable by the inscription in the future (since inscriptions can be removed). GIA makes no representation concerning any trademark, word, or symbol which is inscribed by GIA or which is identified on this Report. The recipient of this Report may wish to consult a credentialed jeweler or gemologist about the information contained herein.



The security features in this document, including the hologram, security screen and microprint lines, in addition to those not listed, exceed document security industry guidelines.

IMPORTANT LIMITATIONS ON BACK
©2007 GEMOLOGICAL INSTITUTE OF AMERICA, INC.