



**GIA**  
GEMOLOGICAL INSTITUTE OF AMERICA®

5355 Armada Drive | Carlsbad, CA 92008-  
T: 760-603-4500 | F: 760-603-1814

GIA Laboratories  
Bangkok Carlsbad Gaboroni  
Johannesburg Mumbai New York  
www.gia.edu

COLORED DIAMOND IDENTIFICATION AND ORIGIN REPORT

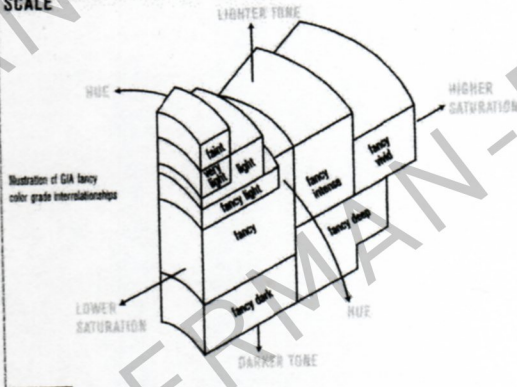
GIA REPORT 17468728

September 11, 2008

Shape and Cutting Style ..... **CUT-CORNERED RECTANGULAR MODIFIED BRILLIANT**  
 Measurements ..... **5.16 x 4.35 x 3.10 mm**  
 Weight ..... **0.66 carat**  
 Color Grade .....  
 Origin ..... **NATURAL**  
 Grade ..... **LIGHT**  
 ..... **PINK**  
 Distribution ..... **NOT APPLICABLE**

Comments:  
None

GIA  
COLORED  
DIAMOND  
SCALE



314681501

This Report is not a guarantee, valuation or appraisal and contains only the characteristics of the diamond described herein after it has been graded, tested, examined and analyzed by the laboratory providing this Report ("GIA"), and/or has been inscribed using the techniques and equipment used by GIA at the time of the examination and/or inscription. Inscriptions reported in this document are not a guarantee, validation, or warranty of a diamond's quality, country of origin or source; or that the diamond will be identifiable by the inscription in the future (since inscriptions can be removed). GIA makes no representation concerning any trademark, word, or symbol which is inscribed by GIA or which is identified on this Report. The recipient of this Report may wish to consult a credentialed jeweler or gemologist about the information contained herein.



**IMPORTANT LIMITATIONS ON I**  
©2008 GEMOLOGICAL INSTITUTE OF AMERIC