



**GIA**  
GEMOLOGICAL INSTITUTE OF AMERICA®

5355 Armada Drive | Carlsbad, CA 92008-4602  
T: 760-603-4500 | F: 760-603-1814

**GIA Laboratories**  
Bangkok Carlsbad Gaborone  
Johannesburg Mumbai New York

www.gia.edu

COLORED DIAMOND IDENTIFICATION AND ORIGIN REPORT

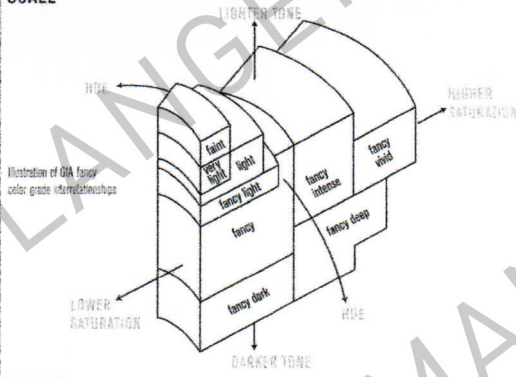
GIA REPORT 5131468985

May 27, 2011

Shape and Cutting Style ..... **Modified Triangular Brilliant**  
 Measurements ..... **6.69 x 7.39 x 3.63 mm**  
 Weight ..... **1.12 carat**  
 Color Grade .....  
 Origin ..... **NATURAL**  
 Grade ..... **FANCY**  
 Distribution ..... **BROWN-PINK**  
 Distribution ..... **EVEN**

Comments:  
None

GIA  
COLORED  
DIAMOND  
SCALE



210511344731



This Report is not a guarantee, valuation or appraisal and contains only the characteristics of the diamond described herein after it has been graded, tested, examined and analyzed by the laboratory providing this Report ("GIA") and/or has been inscribed using the techniques and equipment used by GIA at the time of the examination and/or inscription. Inscriptions reported in this document are not a guarantee, validation or warranty of a diamond's quality, country of origin or source, or that the diamond will be identifiable by the inscription in the future (since inscriptions can be removed). GIA makes no representation concerning any trademark, word, or symbol which is inscribed by GIA or which is identified on this Report. The recipient of this Report may wish to consult a credentialed jeweler or gemologist about the information contained herein.

The security features in this document, including the hologram, security screen and microprint lines, in addition to those not listed, exceed document security industry guidelines.

**IMPORTANT LIMITATIONS ON BACK**  
© 2008 GEMOLOGICAL INSTITUTE OF AMERICA, INC.